

LONG SEAT SLING



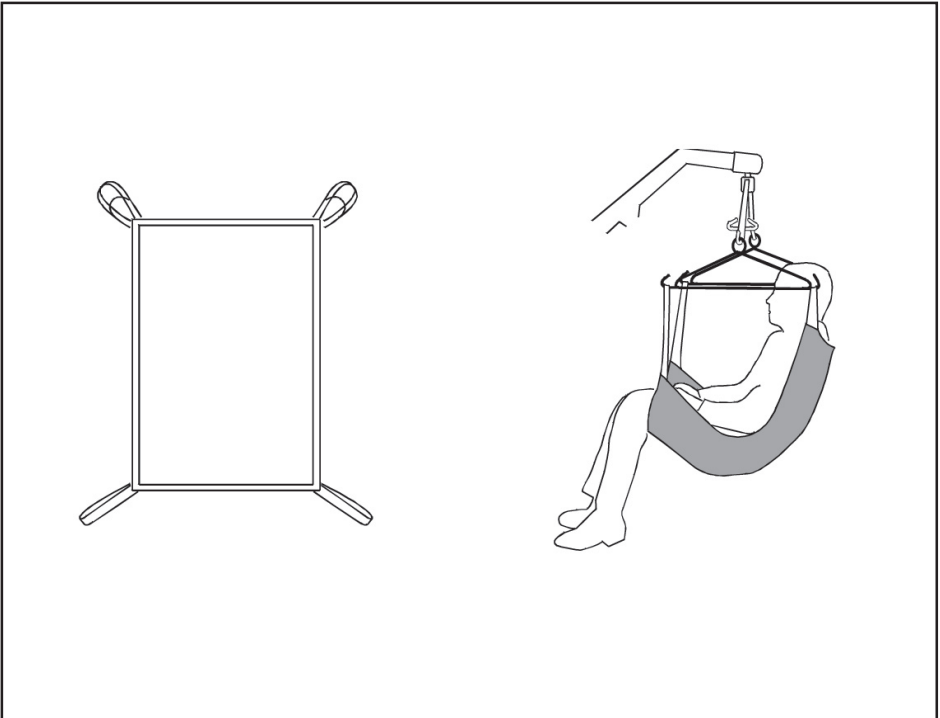
FITTING INSTRUCTIONS
TECHNICAL SPECIFICATIONS
WASHING INSTRUCTIONS



USER GUIDE FOR THE LONG SEAT SLING

The Long Seat Sling is designed for amputees but is also suitable for other patients who have to remain in the sling for an extended period, such as for bed making or bathing.

It is suitable for the lifting amputees, but patients must be individually assessed for suitability by a qualified person. Advice is available from our authorised dealers.



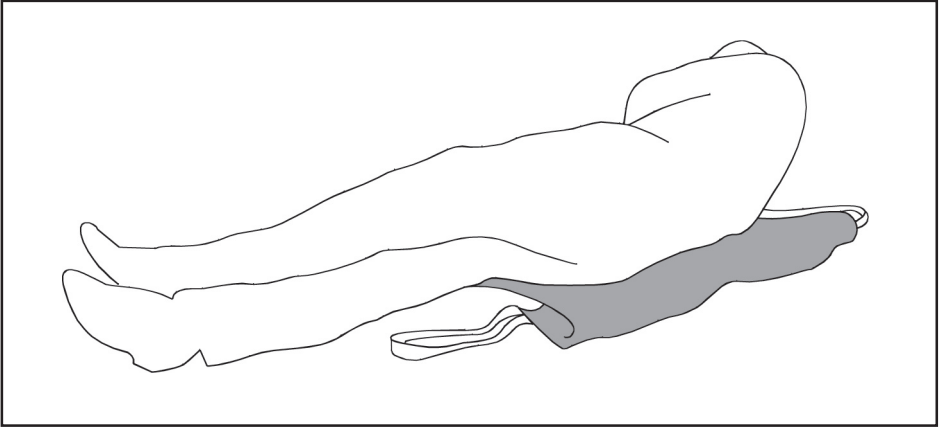
ADDITIONAL SLINGS ARE AVAILABLE TO SUIT INDIVIDUAL NEEDS.
YOU ARE ADVISED THAT YOU SHOULD ALWAYS SEEK THE ADVICE OF AN
AUTHORISED DEALER BEFORE PURCHASING.

WE WILL BE PLEASED TO ADVISE YOU AS TO YOUR NEAREST AUTHORISED DEALER.

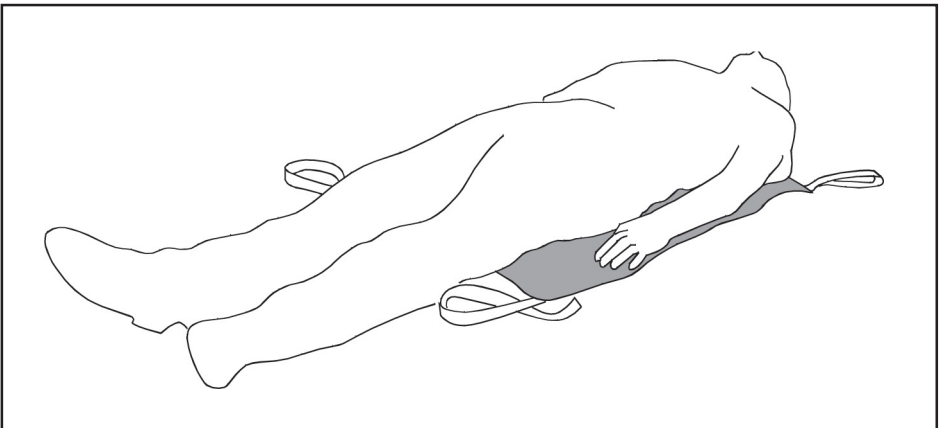


HOW TO FIT A LONG SEAT SLING

RECUMBENT POSITION

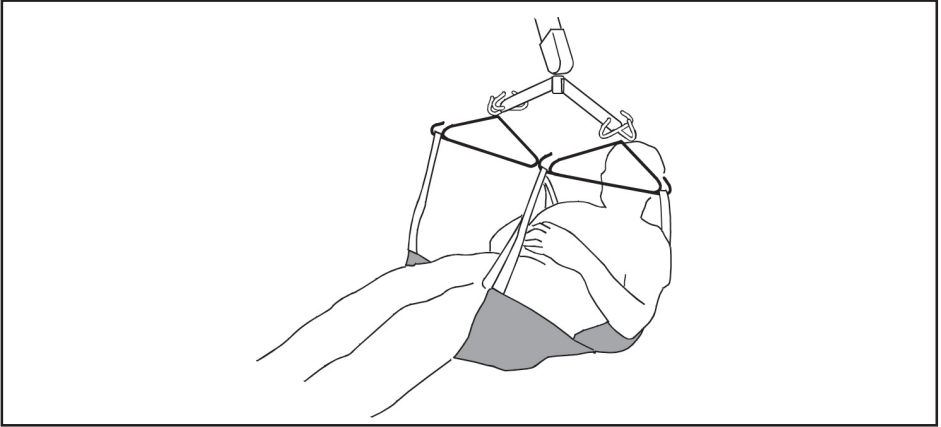


From the recumbent position, roll the patient onto the sling using the draw sheet roll. Ensure the bottom of the sling is just behind the knees.

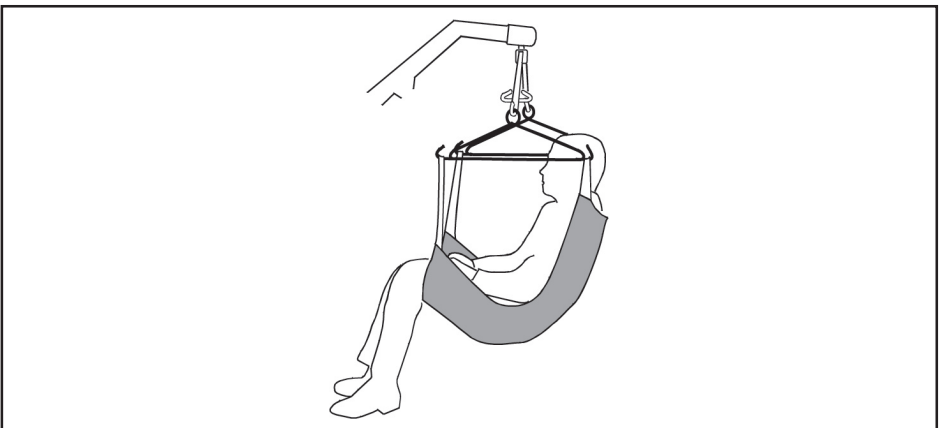


Ensure the sling is flat under the patient. The top of the sling should be at shoulder blade height and level across the top and bottom edges.

HOW TO FIT A LONG SEAT SLING



Move the lift into position above the patient. Attach the side suspenders. Keep the side suspenders away from the patients face. Attach the shoulder strap and leg loops to the respective front and rear hooks on the side suspenders and the centre loop to the centre hook on the spreader bar.



Raise the lift to the required height. NOTE: It may be necessary to support the head while the patient is suspended.

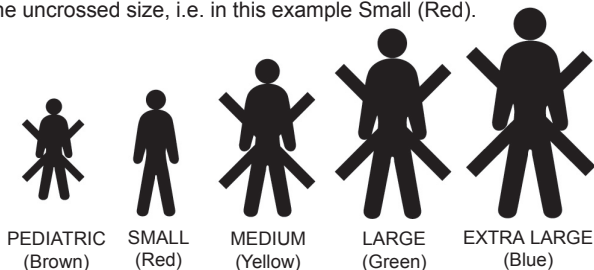
Sunrise Medical recommend slings are checked regularly and before use for fraying or damage.

LONG SEAT SLING TECHNICAL SPECIFICATIONS

STANDARD	BS EN ISO 10535
SAFE WORKING LOAD	500lbs / 227kg

SIZING

Each sling is marked with the following colour coded symbols, four of which will be crossed. Your sling is the uncrossed size, i.e. in this example Small (Red).



WASHING INSTRUCTIONS

Each sling is marked with the following washing instructions:

DO NOT WASH WITH BLEACH

Bleach will damage material. Slings can suffer damage during washing and drying. Check sling before each use. Bleached, torn, cut, frayed or broken slings are unsafe and could result in serious injury or death to patient. Destroy and discard worn slings. Do not alter slings. Machine wash warm. Cool tumble dry, air dry or dry at very low temperature.



		US	EU	Long Seat (Polyester)	Long Seat (Net)	Long Seat Commode (Poly)	Long Seat Commode (Net)
ORDER CODE	PEDIATRIC (BROWN)	NA	SL	Special	Special	Special	Special
	SMALL (RED)	NA	SL	1100	1101	1125	1126
	MEDIUM (YELLOW)	NA	SL	1103	1104	1128	1129
	LARGE (GREEN)	NA	SL	1106	1107	1131	1132
	EXTRA LARGE (BLUE)	NA	SL	Special	Special	Special	Special

IF YOU REQUIRE SIDE SUSPENDERS, PLEASE ADD A 'C' TO PART NUMBER



Sunrise Medical Inc.
5001 Joerns Drive, Stevens Point,
Wisconsin, 54481-5040
Tel: (715) 341 3600
(800) 826 0270 (Toll Free)
www.sunrisemedical.com



Sunrise Medical Limited
High Street Wollaston
West Midlands DY8 4PS England
Tel: 01384 44 66 88
Fax: 01384 44 66 99
www.sunrisemedical.com